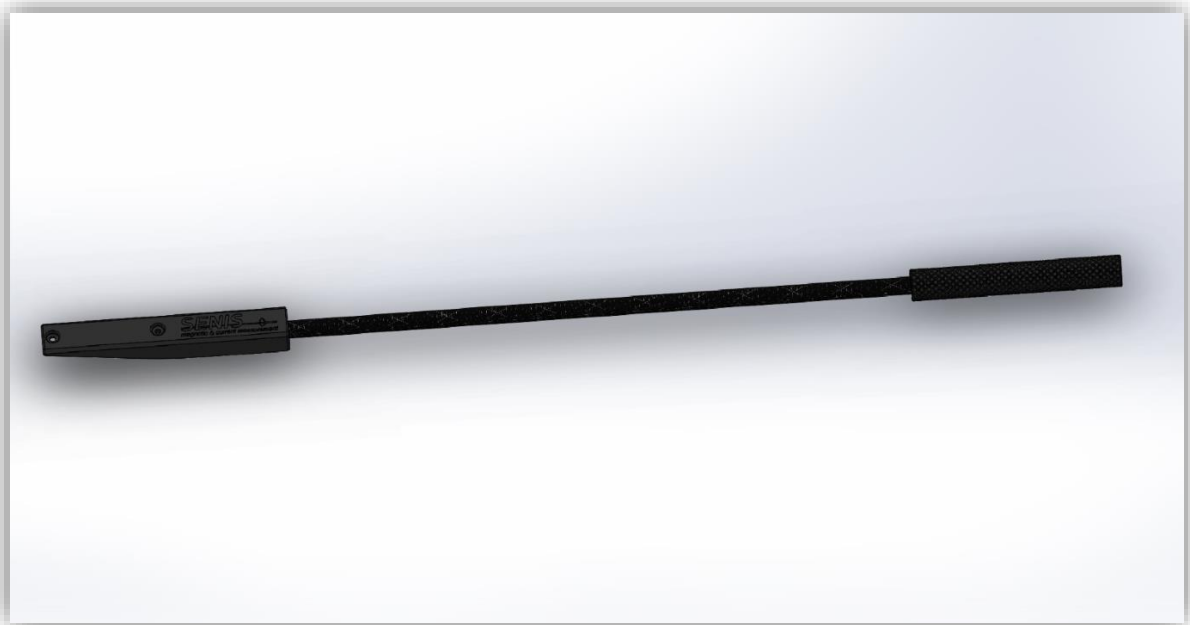


3DAC Extender

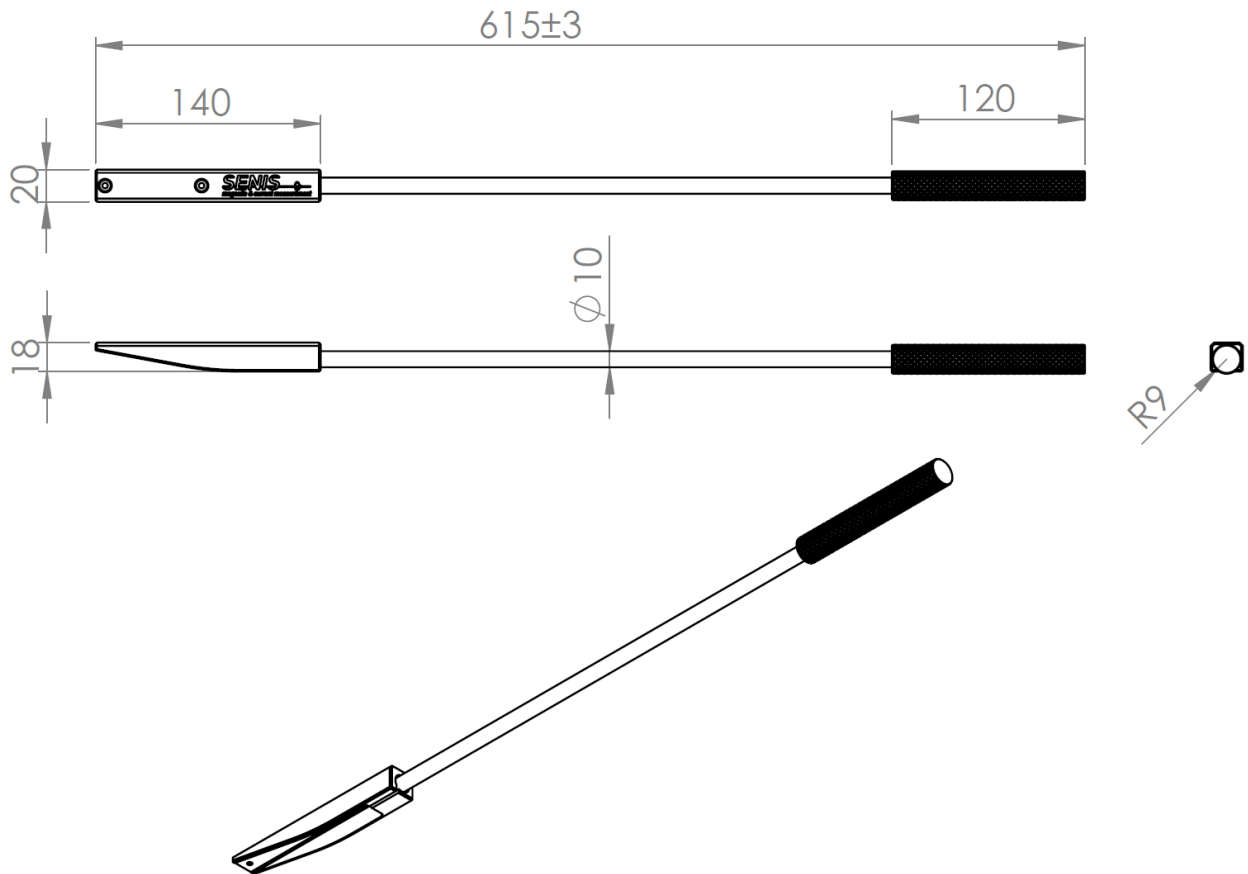
DESCRIPTION:

3DAC Extender extends reach of 3DAC device. It is made of plastic, while central part is made of carbon fiber, so it is completely non magnetic.

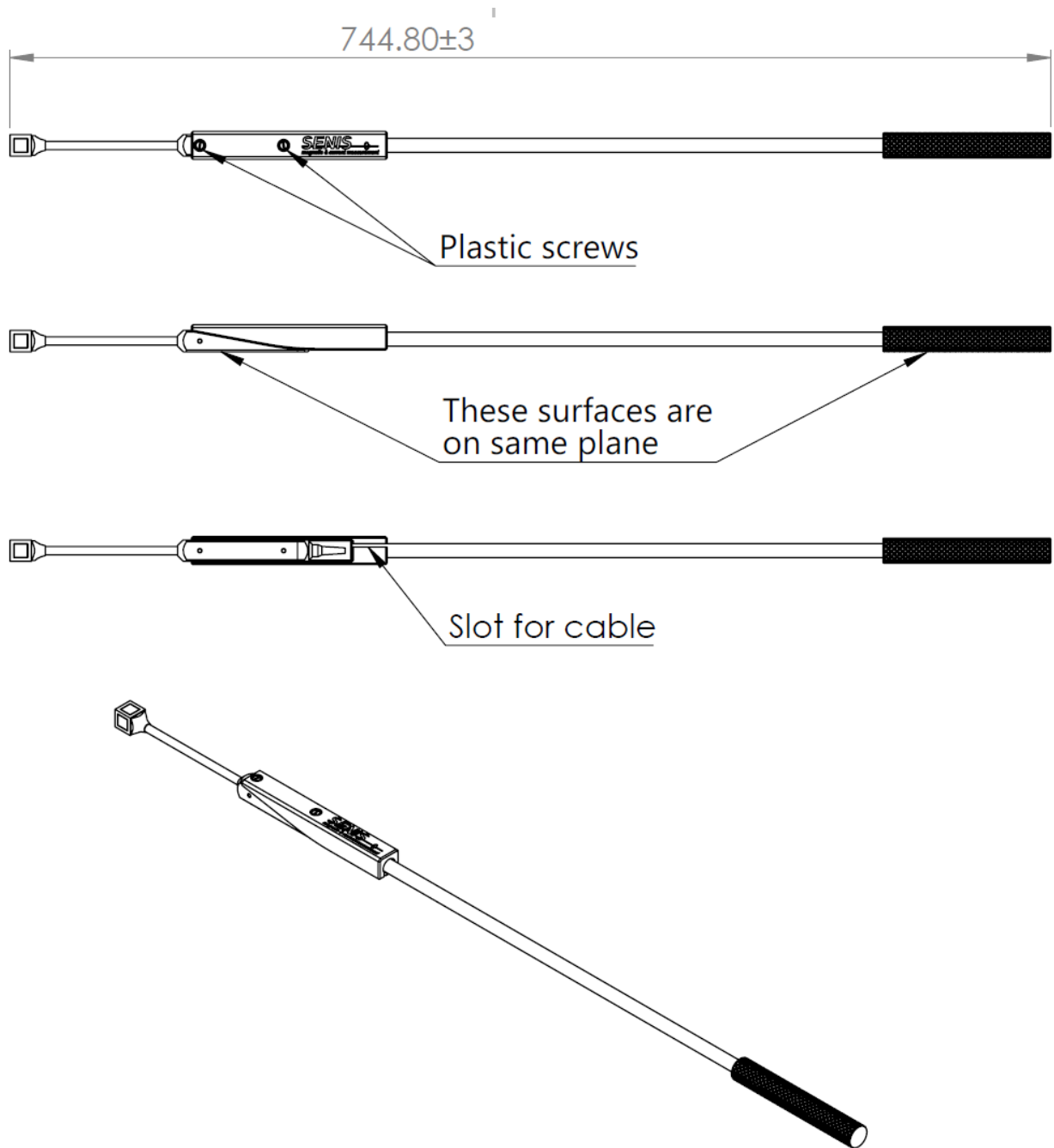


PRODUCT DIMENSIONS AND CHARACTERISTICS:

Extender dimensions (in mm):



Extender dimensions (in mm) with 3DAC:



Recommended operating temperature 0-80 Celsius.